

## **Installation Instructions:**

### **Background**

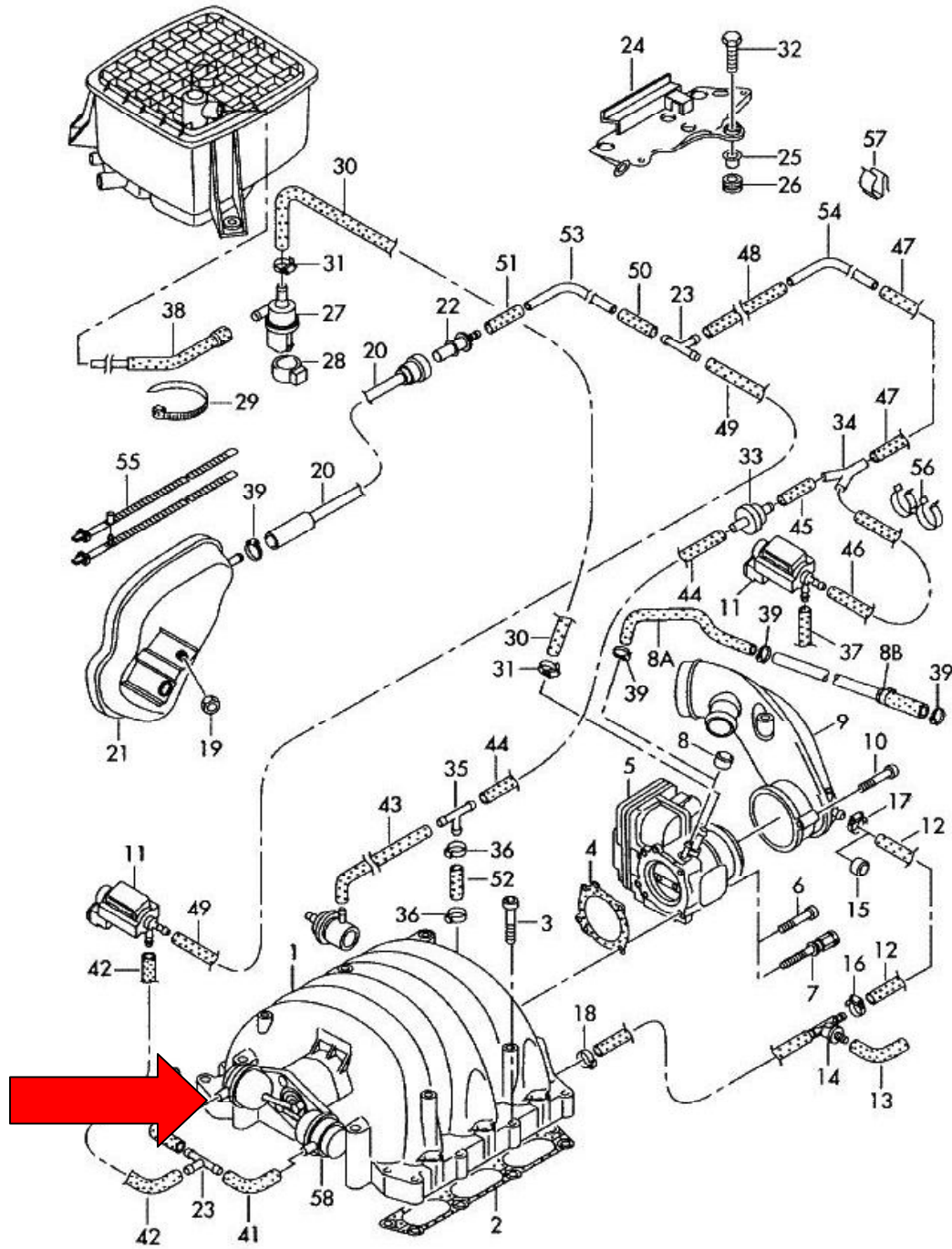
These billet linkage arms are designed for installation on the Audi variable air intake manifold change over valve. These are sold in sets of 2 – enough for 1 vehicle and will replace the plastic ones on the 2002-2006 A4 and 1999-2004 A6 with the 3.0L 30V V6 engine with rotary drive unit part number 06C-133-611 (06C133611) installed onto intake manifold part number 06C-133-201J (06C133201J).

This product fits the following vehicles:

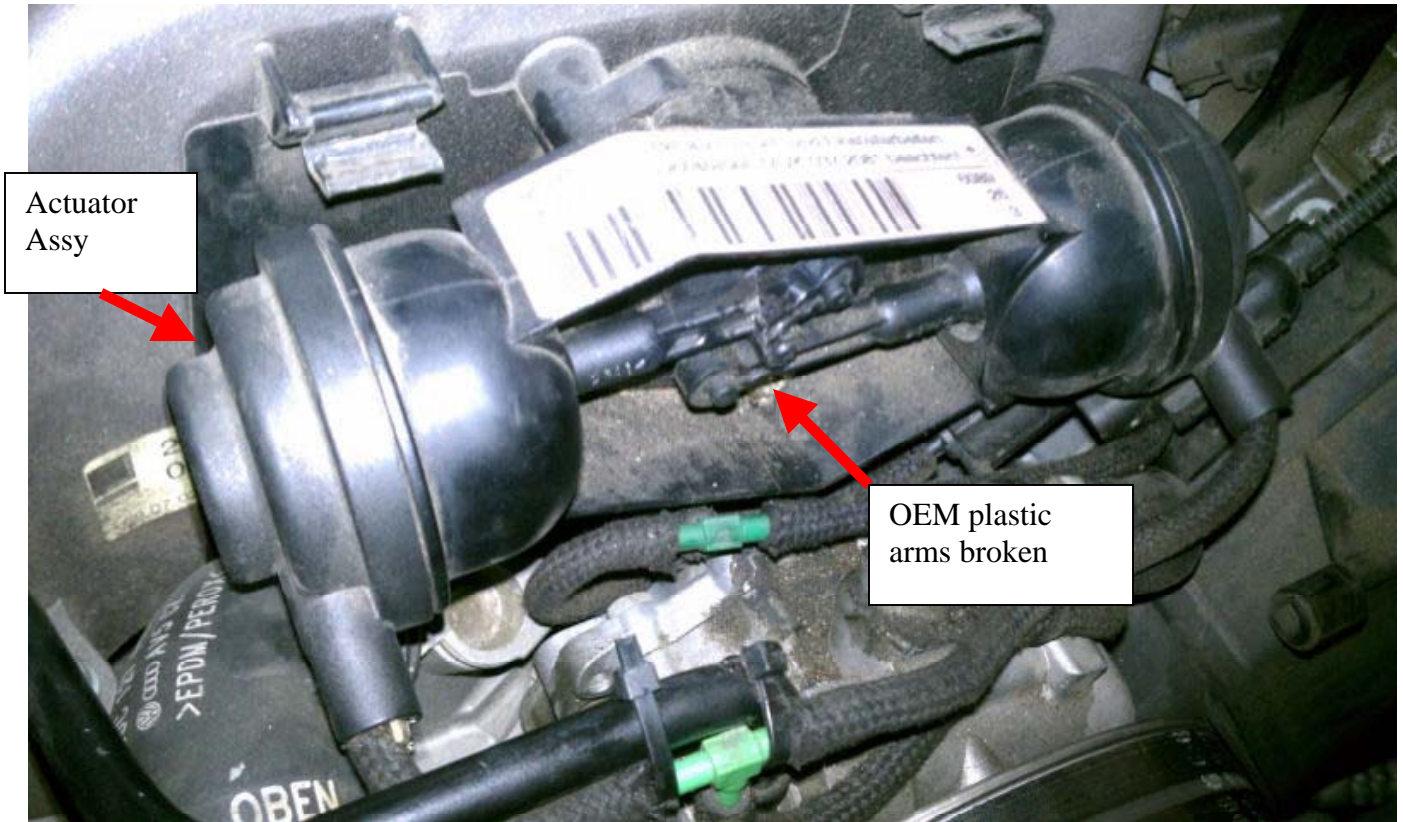
2002-2006 Audi A4 including Quattro w/3.0L 30V V6 Engine  
1999-2004 Audi A6 including Quattro w/3.0L 30V V6 Engine

### **Installation**

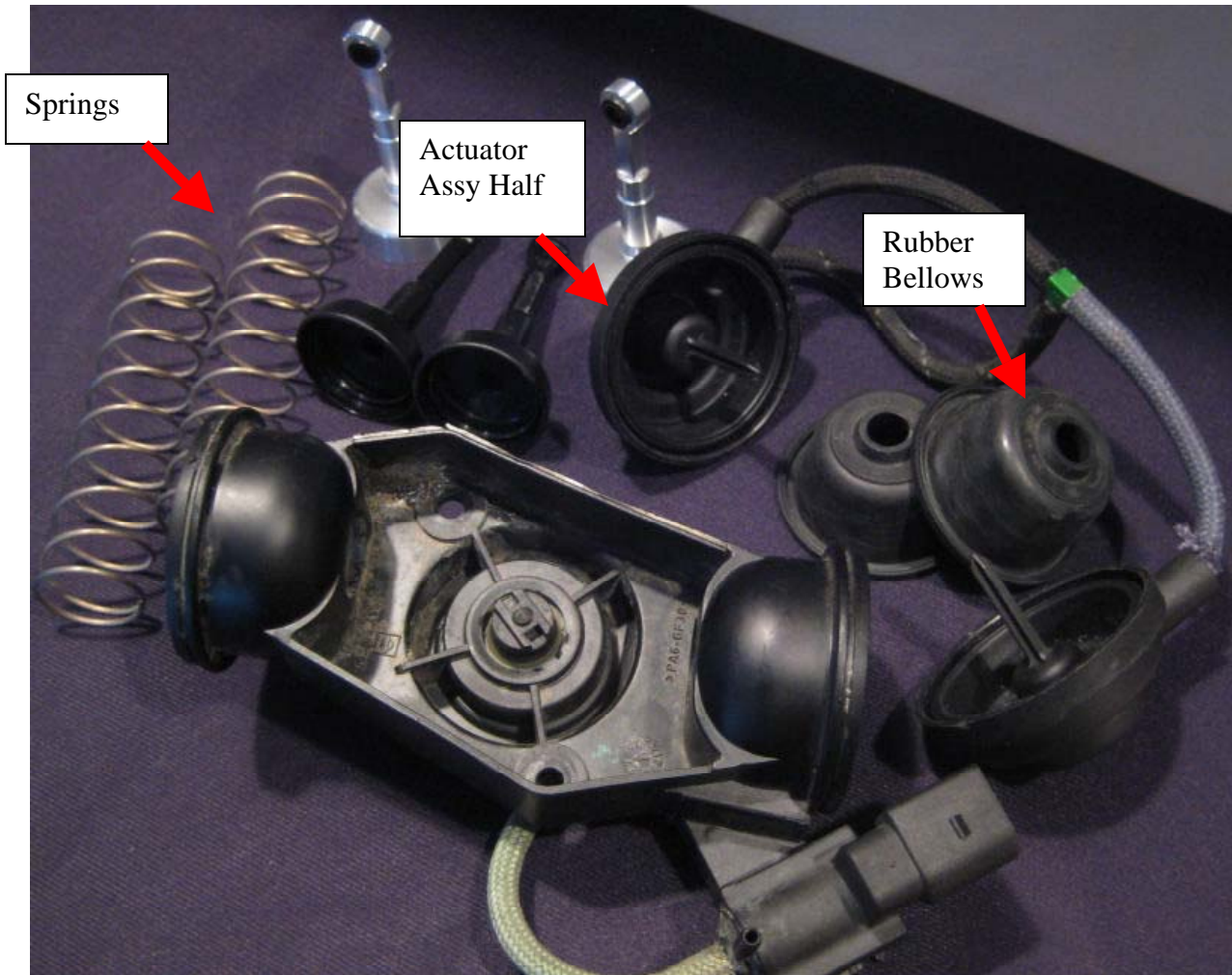
1. Installation of these aluminum linkage arms is best accomplished by first removing the rotary drive unit from the vehicle engine. The rotary drive unit is shown in Figures 1-3 below, and is attached via 2 mounting screws to the intake manifold. You will need to disconnect the vacuum lines attached to the unit. Please mark the vacuum lines so you know where they go upon reinstallation.
2. Once the drive unit is off vehicle intake manifold, gently pry apart the actuators using a screwdriver. Work slowly around circumference of both actuators until the halves separate. Note there is a spring within each actuator, take care not to be harmed by the spring once the halves separate. Figure 3 shows the unit disassembled.
3. Remove the rubber bellows and gently separate the plastic link arms from the center rotary drive assembly. Take care NOT to break the center section of the drive assembly (mating balls).
4. Slide the new metal arms into the rubber bellows until they are fully seated. Reassemble arms to drive unit and snap arms onto center balls. You can snap the metal arms into the balls BY HAND, but it requires firm pressure.
5. Replace springs and gently snap fit actuator halves back together.
6. Reinstall assembly onto vehicle, reconnect all vacuum hoses.



**Figure 1 –  
Engine Intake Manifold, Rotary Drive Unit Shown by Arrow  
(front of engine to left side of page)**



**Figure 2 –  
Engine Intake Manifold, Rotary Drive Unit Shown by Arrow  
(view looking from front of engine – OEM plastic links shown installed, broken)**



**Figure 3 –  
Rotary Drive Unit Shown Disassembled**